

LEFT OR RIGHT HANDED 46CM BASIN DOC M PACK (WHITE RAILS)



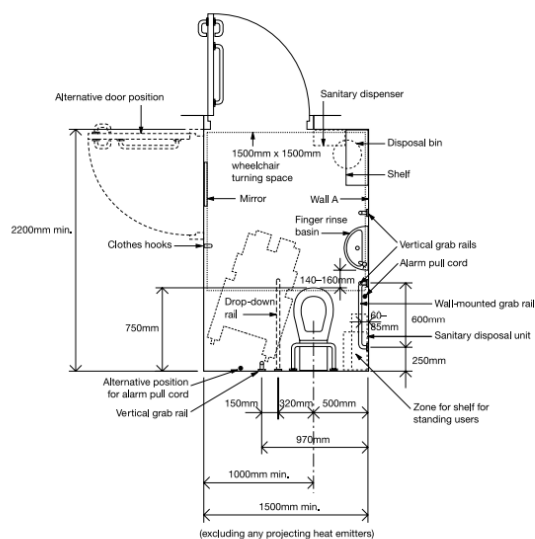
| | |
|----------------------------|---|
| Product Code | EDOCM |
| Weight (Kg) | 53.5 |
| Material | Vitreous China, Mixed Plastics and Metals |
| Tap Holes | Two tap hole basin supplied with a tap hole stopper |
| Grab Rails | Exposed White Rails |
| Tap | Sequential Lever Tap (not TMV3) |
| Inlet | Bottom Inlet - LH or RH |
| Flushing Volume (L) | 6ltr Single Flush |
| RAL Colour | White - 9016 |
| LRV | 87.67 |

Included in Pack:

- 1x 46 cm LH or RH Basin (No Overflow) inc grat with brackets
- 1x Sequential lever tap
- 5x 60cm Grab rails & 1x Hinged grab rail
- 1x Raised Height Pan and a ringed seat
- 1x Cistern & Fittings Inc Spatula Lever

Description:

Document M of the Building Regulations (2004) and BS waste 8300-2009 provide government guidance on the layouts of an accessible wash-room in non-domestic settings. It ensures consistent levels of installation and function designed for all users. UKCA Compliant and WRAS Approved.



All dimensions are approximate and subject to normal ceramic variation. Although every effort is made not to change the above product specification, Lecico reserve the right to do so without prior notification if necessary. *Against manufacturers defects. Full information on guarantees available upon request.



Atlas Pro

DOC M 18X11 BASIN 2TH (NO OVERFLOW OR CHAIN STAY HOLE)



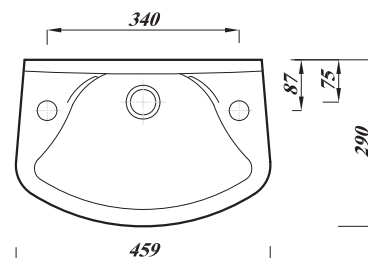
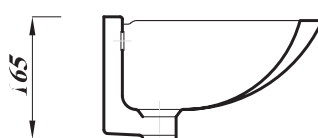
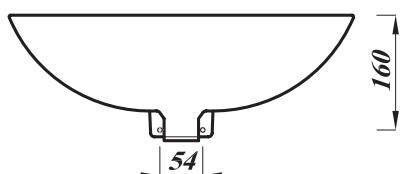
| | |
|---------------------|--|
| Product Code | DASWH18BA |
| Weight (Kg) | 6.3 |
| Material | Vitreous China |
| Tap holes | 2 |
| Fixings | Bracket - BRACK / Fixing bolts - FBWB |
| Extras | Grated waste - DGRWASTE / Bottle trap - BOTRAPCH |

Key features:

- UKCA compliant
- No overflow
- Compact design
- 35mm tap holes
- Includes a white tap hole blanking plug
- Lifetime ceramic guarantee*

Description:

The economy DocM basin features two tap holes, is ideal for commercial applications and is compliant with LANTAC. This basin has no overflow or chain-stay hole and can be left or right handed, to ensure the tap is closest to the WC.



All dimensions are approximate and subject to normal ceramic variation. Although every effort is made not to change the above product specification, Lecico reserve the right to do so without prior notification if necessary. *Against manufacturers defects. Full information on guarantees available upon request.



Atlas Pro

SEQUENTIAL LEVER ACTION MONO MIXER TAP



| | |
|---------------------|---------------|
| Product Code | DMIXER |
| Weight (Kg) | 1.02 |
| Material | Chrome |
| Min Pressure | 0.2 bar |
| Min Pressure | 5 bar |

Accreditation:



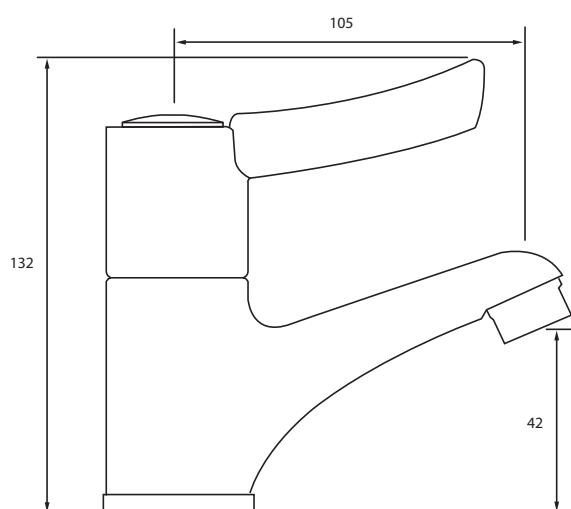
2107134

Key features:

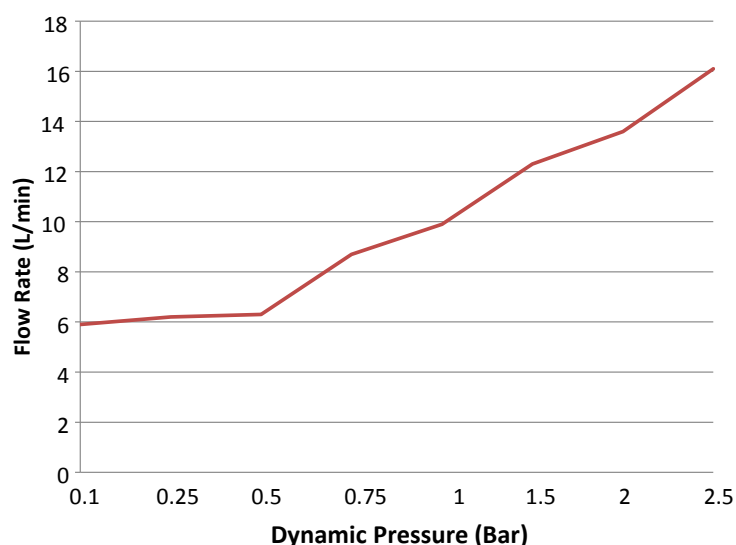
- Ceramic disc
- Simple lever operation
- Reinforced cartridge for heavy duty use
- WRAS approved
- 5 year guarantee*

Description:

The lever operated sequential basin mixer tap is ideal for less able users. The flat lever allows the user to operate the tap, even with limited dexterity. The smooth operation of the reinforced cartridge ensures strength and durability.



Flow rates



All dimensions are approximate and subject to normal ceramic variation. Although every effort is made not to change the above product specification, Lecico reserve the right to do so without prior notification if necessary.
*Against manufacturers defects. Full information on guarantees available upon request.

DOC M CC LEVER CISTERN (SHELL ONLY) LH & RH



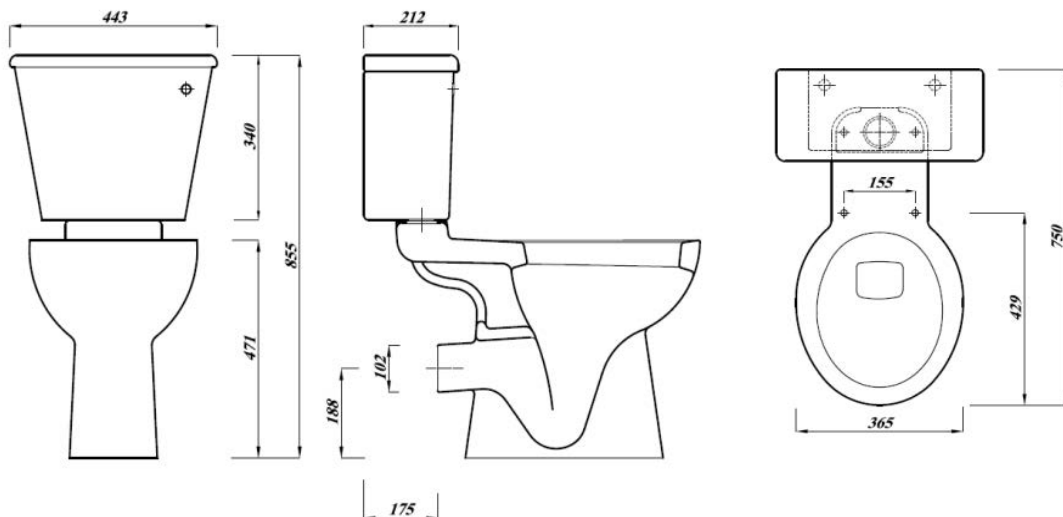
| | |
|----------------------------------|-----------------------------------|
| Product Code | DOCMCI |
| Weight (Kg) | 13.7 |
| Material | Vitreous china |
| Flushing Volume (L) | 6ltr Single Flush |
| Flushing Mechanism | Lever Action - left or right hand |
| Inlet | Bottom Inlet |
| Cistern fittings included | No - (CPKDOC Required) |
| Pre-Installed/Bagged | N/A |

Key features:

- Cistern fittings required - CPKDOC
- UKCA compliant
- Easy operate single flush mechanism
- Lockable Lid by screw
- Dual Punched

Description:

This comfort height cistern is designed to be fully compliant with DocM. When used in conjunction with other dedicated DocM products from the Lecico range and following the official Lantac room layout, this combination ensures statutory compliance.



DOC M CLOSE COUPLED PAN (460 HIGH)



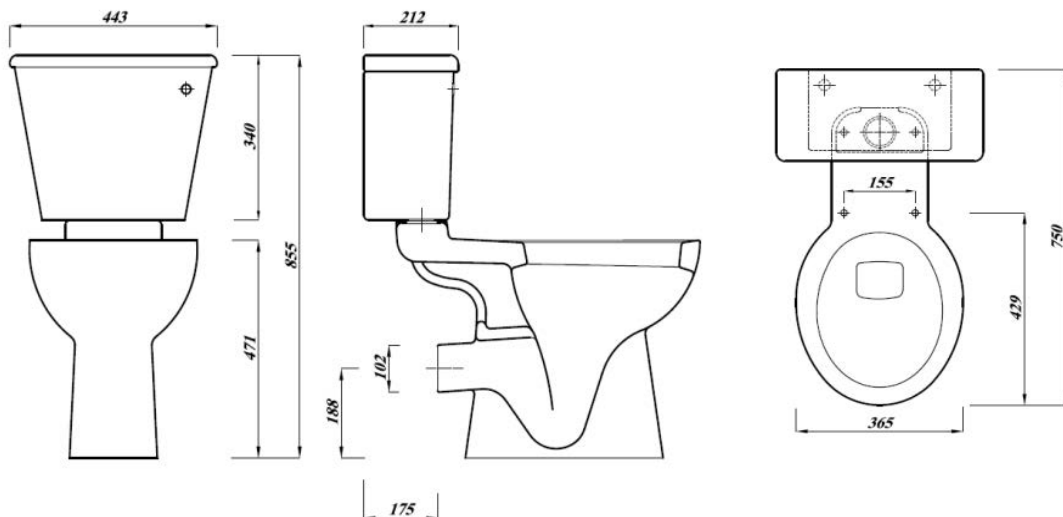
| | |
|---------------------------------------|--|
| Product Code | DOCMNPAN |
| Weight (Kg) | 18.4kg |
| Material | Vitreous China |
| Flushing Volume (L) | 6ltr Single Flush |
| Colour | White |
| Suitable Ring Seats - No lid | White - STWHRING2 Blue - STDBRING2 Grey - STGRRING2 |
| Suitable Ring Seats - With Lid | White - STWHLRING Blue - STDBLRING Grey - STGRLRING |
| Suitable Anti-lateral seats | White - STRINGALWH Blue - STRINGALBL Grey - STRINGALGR |
| Suitable Cistern | DOCMCI |

Key features:

- Horizontal outlet
- UKCA compliant
- Classic close coupled design
- Raised height

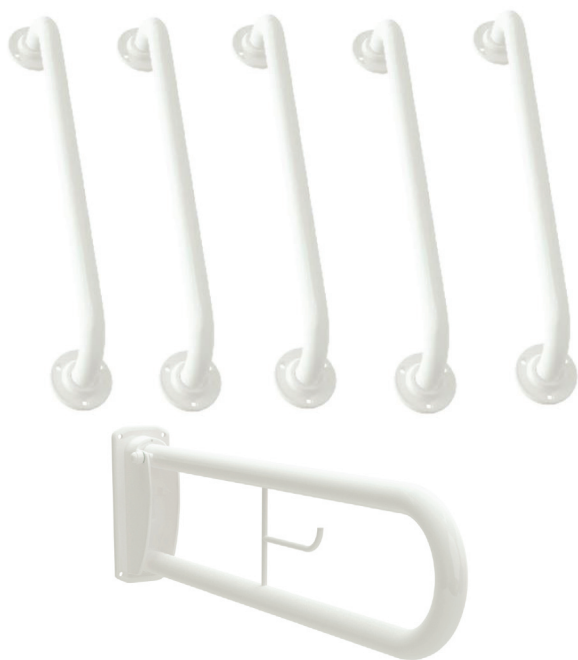
Description:

This comfort height WC is designed to be fully compliant with DocM. Its raised height and 750mm projection makes transferring to and from a wheelchair easier. When used in conjunction with other dedicated DocM products from the Lecico range and following the official Lantac room layout, this combination ensures statutory compliance.



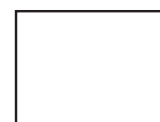
All dimensions are approximate and subject to normal ceramic variation. Although every effort is made not to change the above product specification, Lecico reserve the right to do so without prior notification if necessary. *Against manufacturers defects. Full information on guarantees available upon request.

GRAB RAIL PACK- 600MM - EXPOSED FIXING - WHITE



| | |
|---------------------|------------------|
| Product Code | EDMWHPACK |
| Weight (Kg) | 7.8 |
| Material | Steel |
| Colour | White |

Blue: EDMBLPACK
Satin S/S: EDMSSPACK
Polished S/S: EDMPSPPACK
Grey: EDMGRPACK



RAL9016
 LRV - 87.67



RAL5011
 LRV - 5.52



RAL7005
 LRV - 18.52



Polished s/s
 LRV - 58



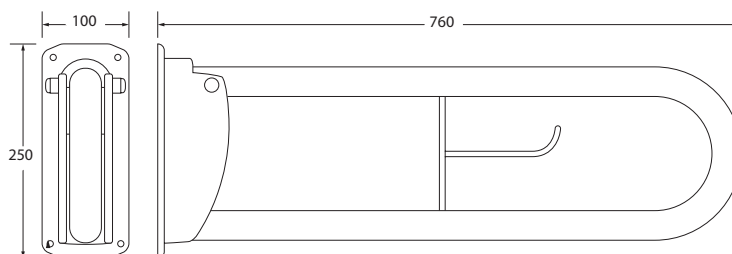
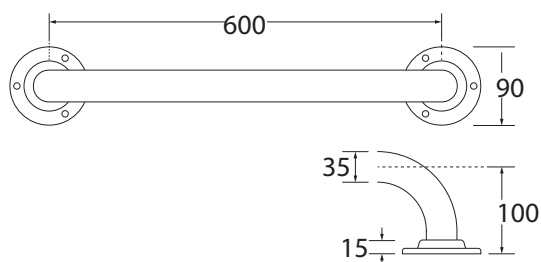
Satin s/s
 LRV - 41

Key features:

- 5 600mm length grab rails
- 1 800mm Hinged rail (without toilet roll holder)
- Exposed fixings
- Colour options provide contrast options from the wall

Description:

Designed with the user in mind, these grab rails help to provide extra points of contact around the room making the bathroom more accessible. These rails are for use where additional assistance may be required.



WHITE RING SEAT - NO LID



| | |
|---------------------|------------------|
| Product Code | STWHRING2 |
| Weight (Kg) | 1 |
| Material | Plastic |
| Soft close | No |
| Colour | White |
| Fixing | Bottom Fix |

Shown: Ring seat
STWHRING2

White: STWHRING2

Blue: STDBRING2

Grey: STGRRING2



White

Dark blue

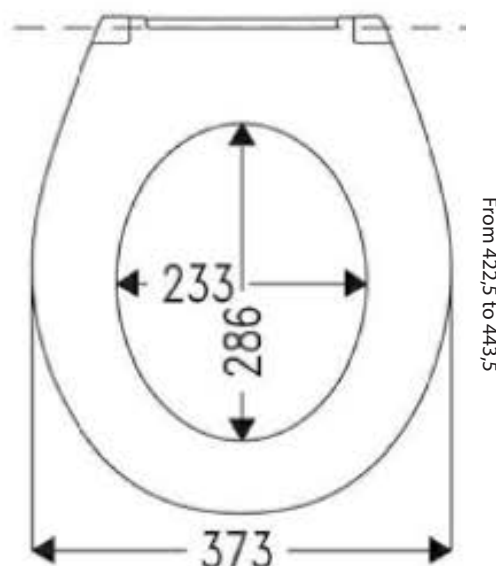
Grey

Key features:

- UKCA Compliant
- Durable design
- Available in a choice of 3 colours

Description:

Made from highly durable thermoset plastic, this ring seat comes supplied with stainless steel hinges and is perfect for high traffic areas. Its durable design is chemical, flame and scratch resistant.



All dimensions are approximate and subject to variation. Although every effort is made not to change the above product specification, Lecico reserve the right to do so without prior notification if necessary. Full information on guarantees available upon request.