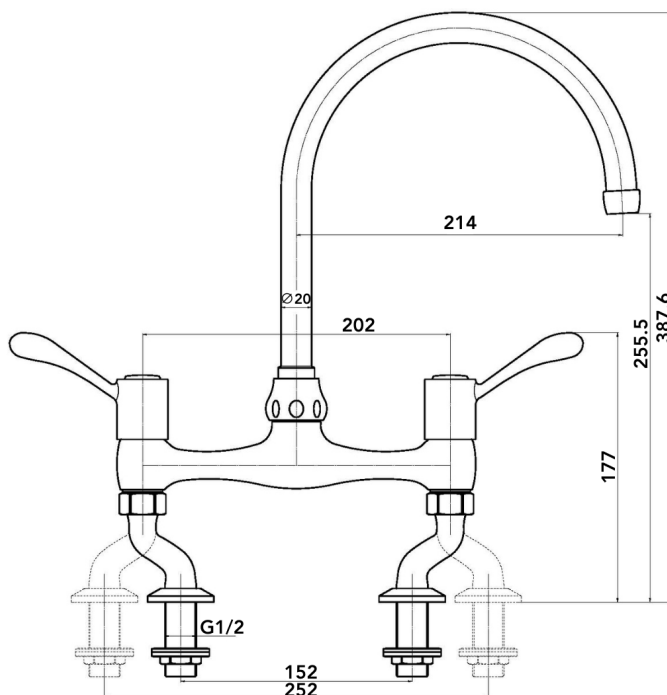


CRAWFORD

Product Code	580308
Minimum Pressure	0.2 Bar
Maximum Pressure	5 Bar
Overall Height	388mm
Spout Exit Height	255mm
Spout Exit Reach	214mm



Colour Finishes



580308 Chrome